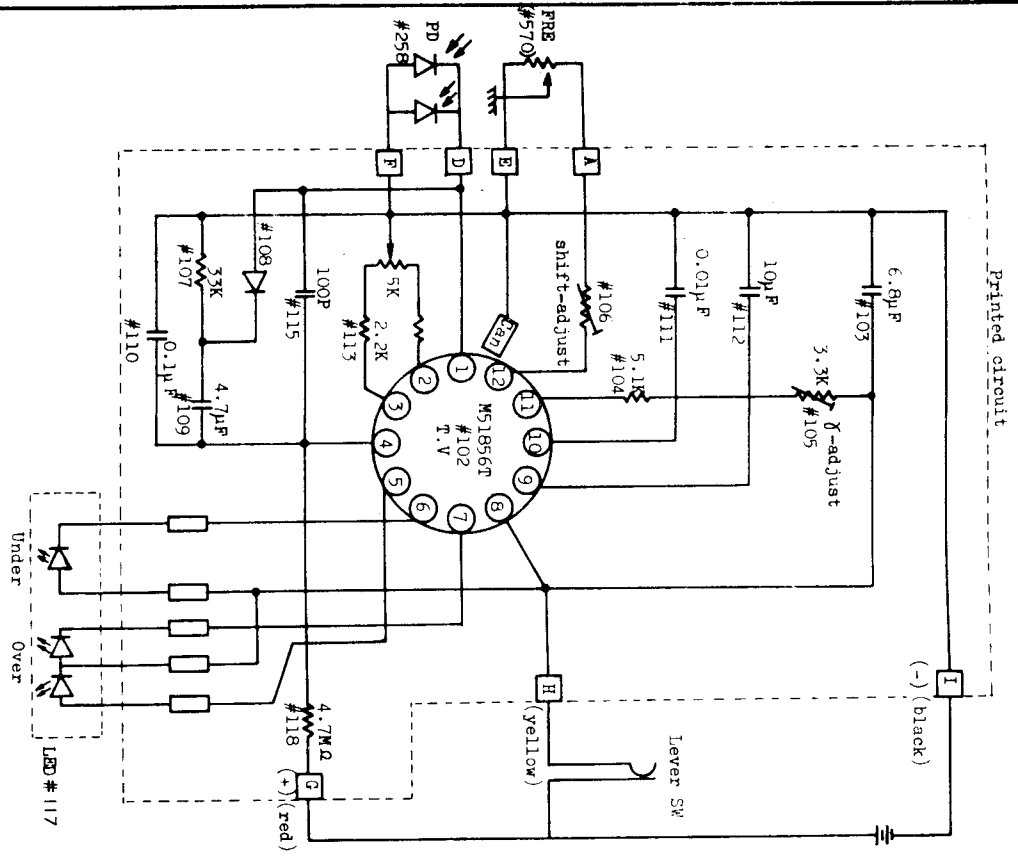
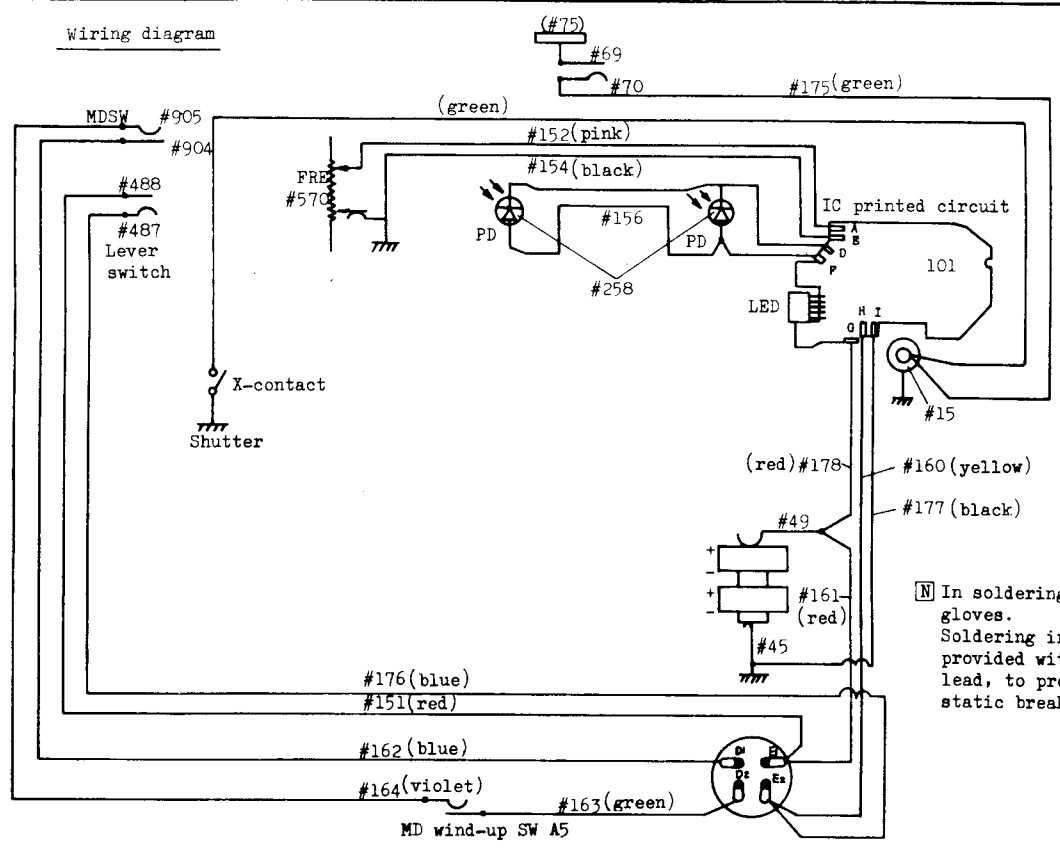


Light measuring circuit



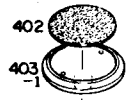
Printed circuit

Wiring diagram

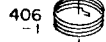
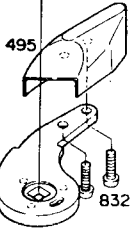


[N] In soldering, put on cotton gloves. Soldering iron should be provided with a ground lead, to prevent electrostatic breakdown of IC.

上カバー Top Cover



P3-1



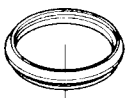
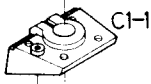
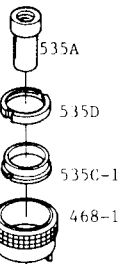
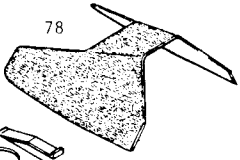
C4



C3-1



C-1



577-1

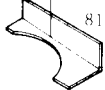
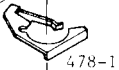
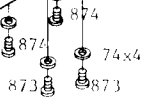
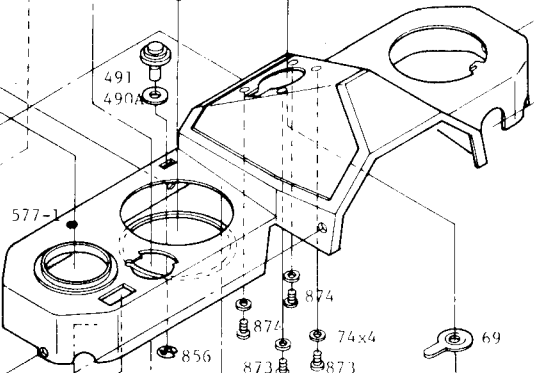


Fig. 1

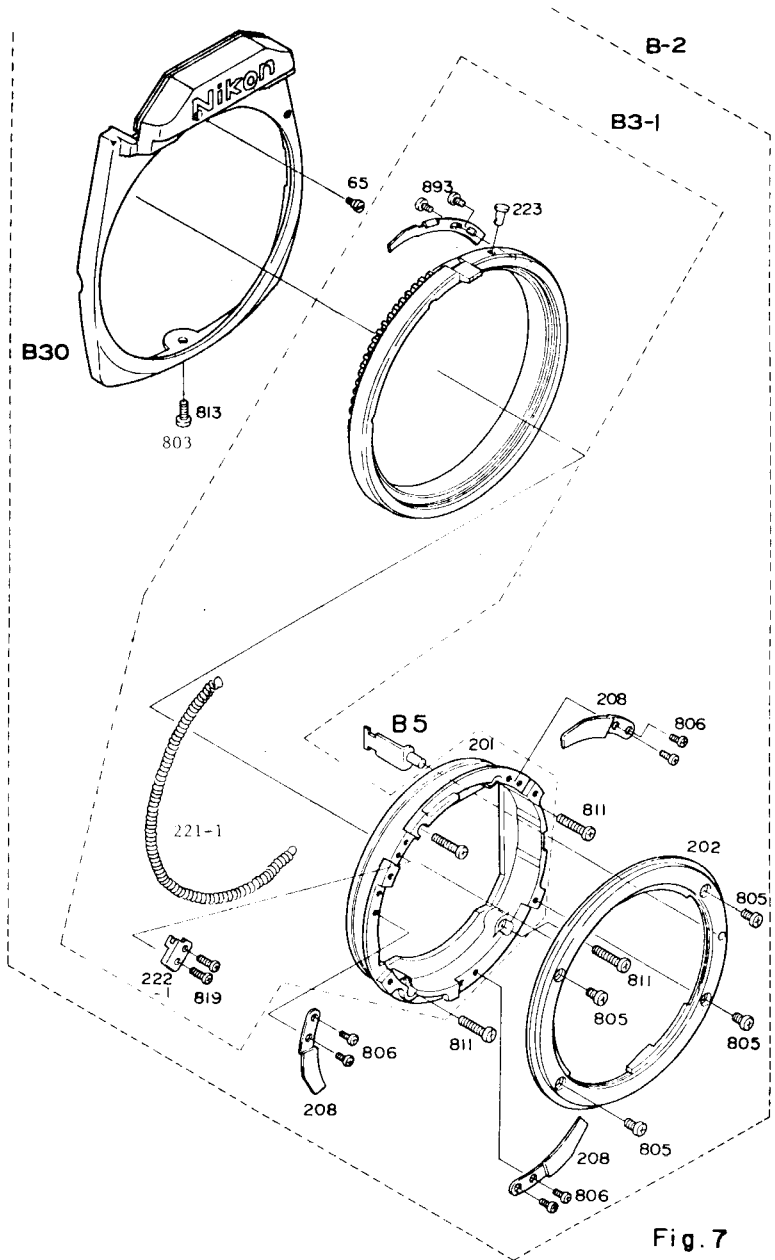


Fig. 7